

BLOWER MOTOR INSTALLATION PROCEDURE

REPLACEMENT OF SINGLE TERMINAL MOTOR WITH DOUBLE TERMINAL MOTOR
APPLICATION: VOLVO 740, 1985-92, VOLVO 780, 1987-91, VOLVO 760, 1983-90, VOLVO 940, 1991-93

1. Remove right side soundproofing panel and side panel. See [figure one](#) to the right.

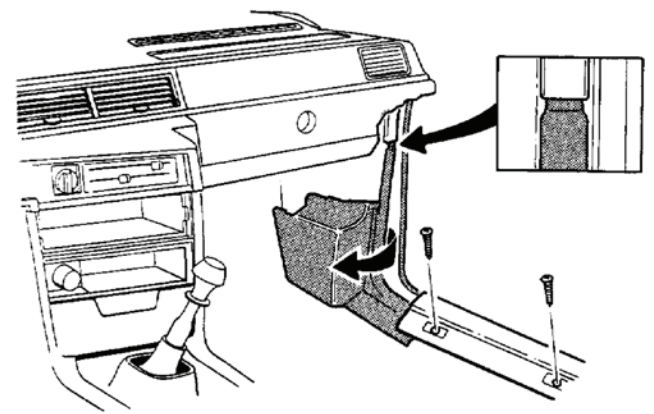


Figure 1

2. Disconnect control unit connector. Remove unit and mounting bracket. See figures [2a](#) and [2b](#) below.

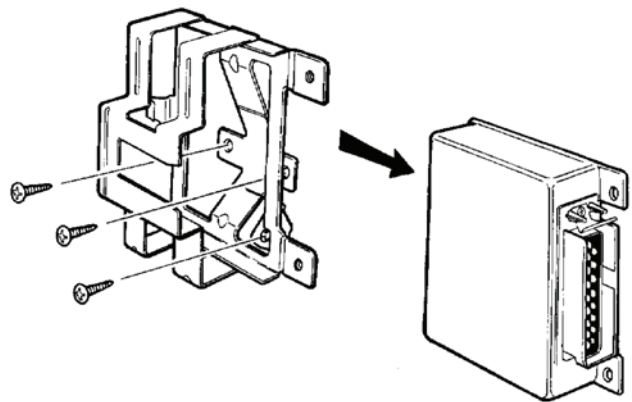
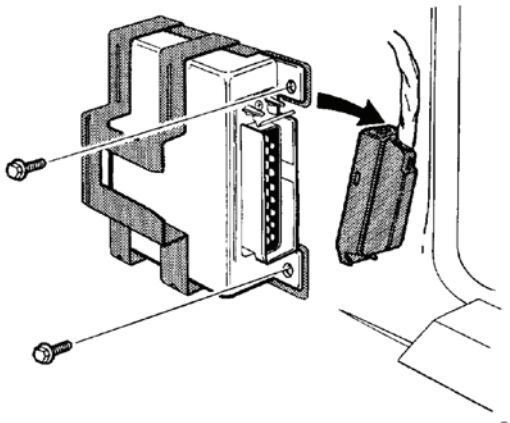
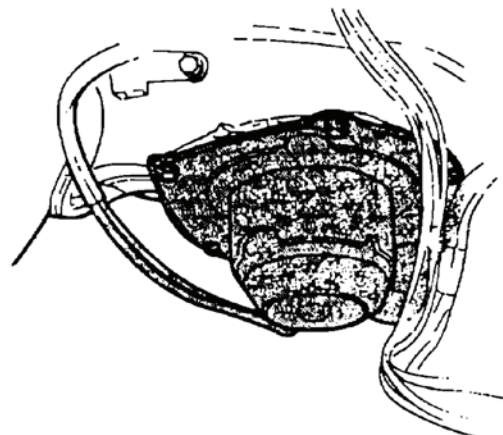


Figure 2b

3. Remove the original single terminal motor and remove gasket. See [figure three](#) to the right.

Save three screws for [step number 10](#).



4. Modify old blower housing to fit new type of blower motor. Use hacksaw blade to cut plastic tube flush with flange housing. Finish by grinding flush with mating surface to ensure well scaled joint. See [figure four](#) to the right.

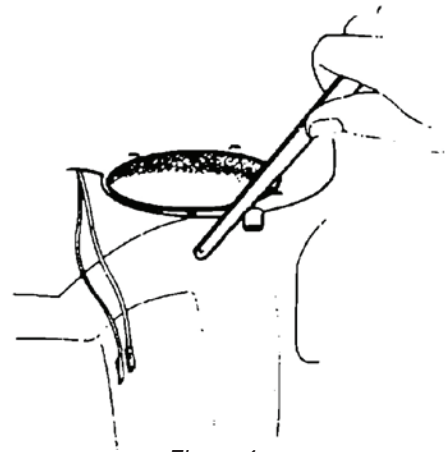


Figure 4

5. Before fitting adaptor ring, apply a sealing compound as illustrated ([A](#)) and fit some plastic foam seal at ([B](#)). Only mating surfaces with fan housing should be scaled. See [figure five](#) to the right.

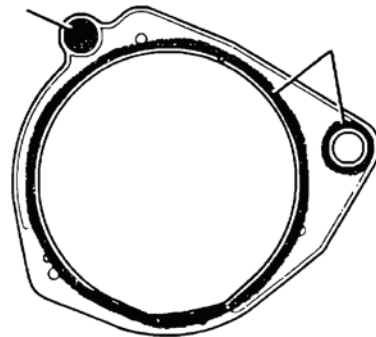
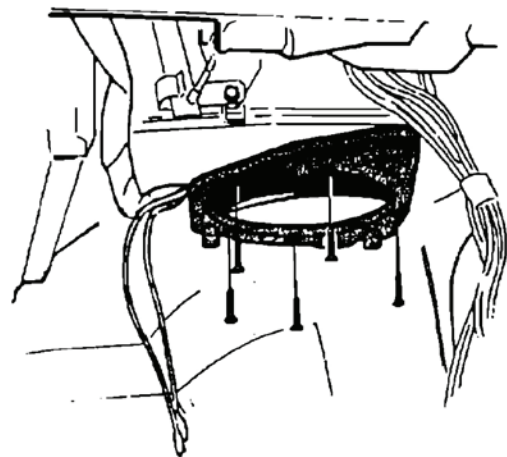
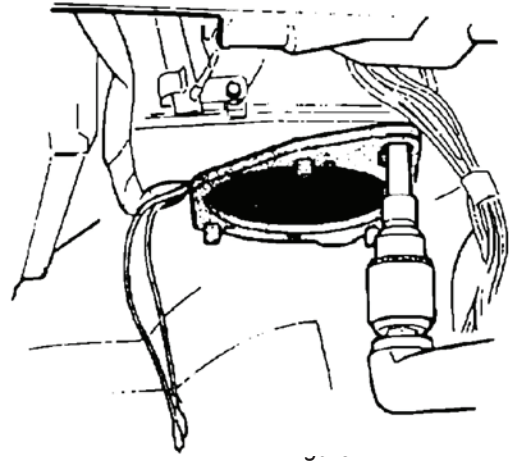


Figure 5

6. Ensure that the guide pin in the adaptor ring is located in heater housing. Tighten in position using five countersunk screws and ensure that gasket is correctly positioned. See [figure six](#) to the right.



7. Drill $11/16$ " hole in fan housing using the adaptor ring as a template. Remove all plastic shavings. See [figure seven](#) to the right.



8. Cut out cover to provide clearance between cover and connector. See [figure eight](#) to the right.
- Cut-out should face outward from center of cover on all variants.
 - Cut-out should be approximately $3/16$ " deep and $11/16$ " wide.
 - Smooth cut edges.
 - Remove plastic waste and other debris.

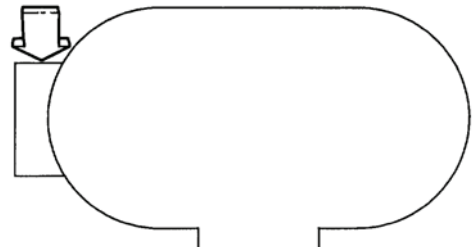


Figure 8

9. Drill a $3/16$ " diameter drainage hole in recess in center of cover. If there is currently $1/8$ " hole, enlarge hole to $3/16$ " to eliminate possible whistle noise. See [figure nine](#) to the right.

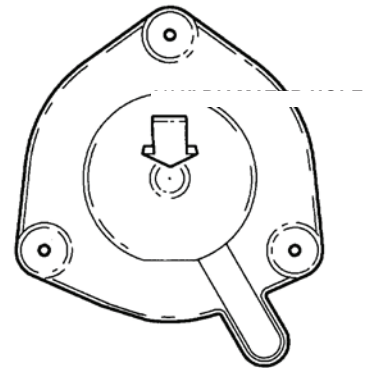


Figure 9

10. Install foam seal around outlet "B". Install blower motor in fan housing and tighten using reserved 3 screws. Connect wires to the blower motor and install mounting bracket and control unit. See [figure ten](#) to the right.

