



PROBLEM SOLVING WATER OUTLET KITS

Early O.E. designed water outlet kits have often experienced leaks due to poor sealing at the welds. Four Seasons® has improved upon the O.E. design by incorporating a sonic weld to ensure a tight leak-free bond that solves this problem. The improvements don't stop there. We have gone above and beyond the O.E. to bring you a more problem solving part. See details below.



Torque Specs: (Housing & Outlet)
9-13 Nm (80-115 lb/in)

P/N 85331

Applications: Ford 4.0L v6; 01-97 Explorer (August model change), 01 Ranger, 01 Sport Trac, 01-98 Mountaineer

Includes Both Temp Sensor and Temp Sender

Sealing O-Ring Included

Sonic Welded

Additional Improvements

- Kit comes without thermostat allowing customer to select the thermostat with the desired temperature. (O.E. runs hot at almost 200° F)



Torque Specs: (Housing & Outlet)
9-13 Nm (80-115 lb/in)

P/N 85671

Applications: Ford 4.0L v6; 00-97 Explorer, 00-98 Mountaineer, 01 Ranger

Reinforced Threaded Inserts

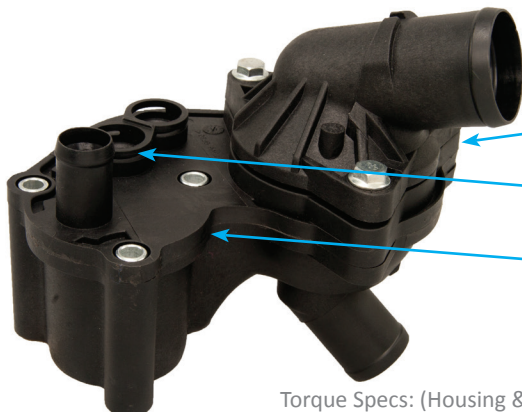
Includes Thermostat

Sealing O-Ring Included

Sonic Welded

Additional Improvements

- Inserts are reinforced to reduce potential leaks and to aid in removal of sensors as needed without having to replace housing.



Torque Specs: (Housing & Outlet)
10-13 Nm (89-115 lb/in)

P/N 85672

Applications: Ford 4.0L v6; 05-02 Explorer, 05-02 Mountaineer

Includes Thermostat and Sealing O-Ring

One Port Blocked Off Eliminating the Need for a Plug

Sonic Welded

Additional Improvements

- One port is sealed same as factory design eliminating the risk of leaks from the use of a plug.

PROBLEM SOLVING WATER OUTLET KITS



Torque Specs: (Housing & Outlet)
10-13 Nm (89-115 lb/in)

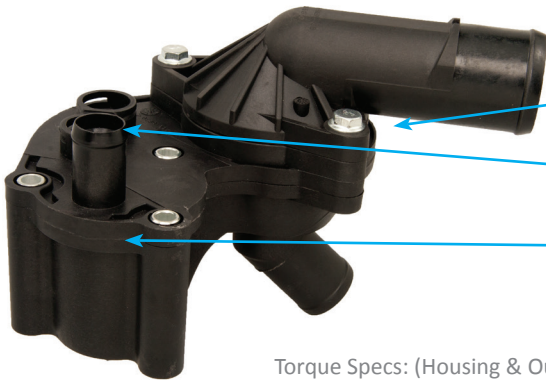
P/N 85673

Applications: Ford 4.0L v6; 03-01 Explorer, 11-02 Ranger, 01 Mountaineer, 05-01 Explorer Sport-Trac, 08-01 Mazda B4000

- Includes Thermostat and Sealing O-Ring
- 2 Clip-in-Ports, 1 with Plug (*If Needed*)
- Sonic Welded

Additional Improvements

- 2x clip in ports designed to fit with O.E. sensors as well as aftermarket. Included plug allows for customer to chose 1 or 2 ports as required.



Torque Specs: (Housing & Outlet)
10-13 Nm (89-115 lb/in)

P/N 85674

Applications: Ford 4.0L v6; 10-08 Mustang

- Includes Thermostat and Sealing O-Ring
- One Clip-in-Port, the Other Blocked
- Sonic Welded

Additional Improvements

- One port is sealed same as factory design eliminating the risk of leaks from the use of a plug.



Torque Specs: (Housing & Outlet)
10-13 Nm (89-115 lb/in)

P/N 85675

Applications: Ford 4.0L v6; 10-06 Explorer, 10-07 Explorer Sport-Trac

- Includes Thermostat and Sealing O-Ring
- One Clip-in-Port, the Other Blocked
- Sonic Welded

Additional Improvements

- One port is sealed same as factory design eliminating the risk of leaks from the use of a plug.